



2020 Changing Places Specification Guide
HLS Healthcare



**Changing Places
Transforming Lives**



HAMER HALL



THE MCG



MELBOURNE ZOO



HLS Healthcare is the largest official Changing Places and Accessible Adult Change Facilities installer in Australia.

National Changing Places and Adult Change Facilities Network includes:

- MCG - Melbourne Cricket Ground
- Melbourne Zoo
- Crown Casino (*Pending*)
- Hamer Hall
- Mullum Mullum Stadium
- Nobbys Beach, Phillip Island
- Oak Park Sports Aquatic & Community Center
- Penguin Parade
- Portland Changing Places
- Portable Changing Places (shipping container)
- Simonds Park (*Accreditation TBC*)
- Simonds Stadium
- Somerville Recreation & Community Centre
- St Kilda Life Saving Club
- Tarneit Community Learning Centre
- Westmead Childrens Hospital
- Bayfit Leisure Centre
- Cambelltown Memorial Oval Sports Hub
- Geelong NDIS Office
- Casey Hospital expansion
- Casey Indoor Leisure Centre
- Fraser Street Public Toilets
- Healesville Sanctuary
- Henley Square
- High Street Carpark - Echuca
- Hume Golbal Learning Centre
- King Street Reserve
- Lightsview Recreational Hub
- Maude Street
- Aquamoves

.. and many more

VIC | NSW | SA | TAS | WA | ACT





Contents

Meet the HLS Healthcare Changing Places Team	Page 3
Changing Places and HLS	Page 4
Changing Places Specification List	Page 6
Architect Design Specifications - Fixed Hoists	Page 8
Architect Design Specifications - Rail Systems	Page 10
Architect Design Specifications - Brackets & Wall Posts	Page 12
Architect Design Specifications - Change Table	Page 14
Builder Installation Methods - Fixed Hoist & Rail System	Page 18
Builder Installation Methods - Brackets & Wall Posts	Page 18
Builder Installation Methods - Change Table	Page 20
Equipment Operating Instructions	Page 24
Common Questions & Answers	Page 26
Product Partners & References	Page 28

Changing Places is a project to advocate for public toilets with full sized change tables and hoists in major public spaces across Australia to meet the needs of people with severe and profound disabilities.

Ref. www.changingplaces.org.au

HLS Healthcare has been advising and supplying smart equipment solutions for Changing Places projects across Australia since 2013.

As a specialist supplier, our team has the most extensive Changing Places knowledge and experience available. From tender specifications to training and advice - we've got it covered.

We also provide the highest quality product and support.

Together with our partners, HLS Healthcare have sales and installation teams to help manage your project in all major Australian states and territories.



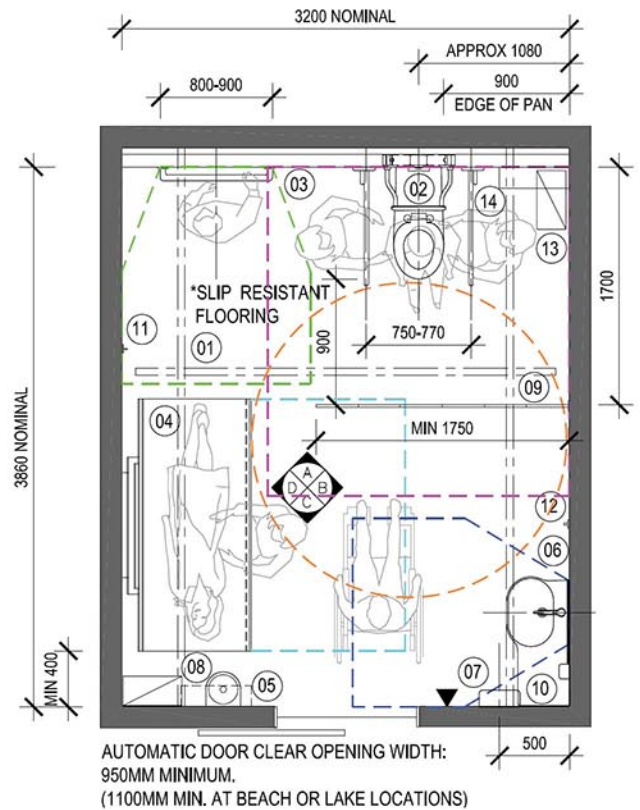
Typical Room Design Options

DESIGN

1A

Without Shower
Rectangular

- 01 Constant-charge room coverage hoist
- 02 Accessible peninsula-style toilet including backrest and two drop-down grabrails
- 03 Wall-mounted changing rails
- 04 Wall-mounted, motorised height adjustable change table with side safety rail
- 05 Shelf and sanitising wipe dispenser
- 06 Washbasin with integrated shelf
- 07 Hand dryer or paper towel dispenser
- 08 Incontinence pad disposal bin
- 09 Wall-mounted retractable privacy screen
- 10 Soap dispenser
- 11 Large sling hook
- 12 Clothes hook
- 13 Sanitary product disposal bin
- 14 Shelf beside the toilet pan
- 15 Telescopic shower curtains
- 16 Accessible shower with shower seat
- ▶ Automatic door control

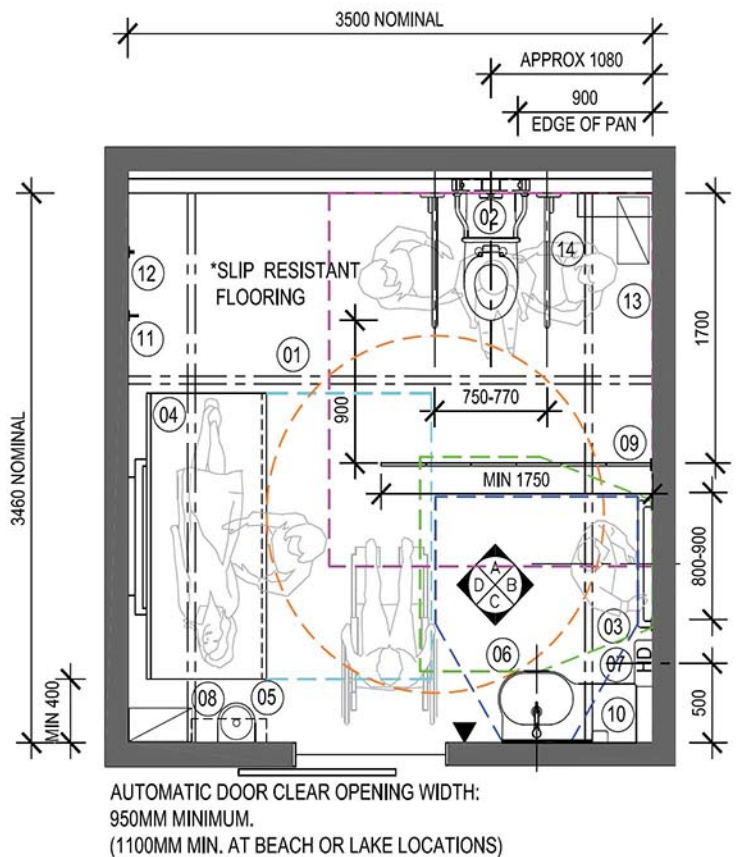


DESIGN

1B

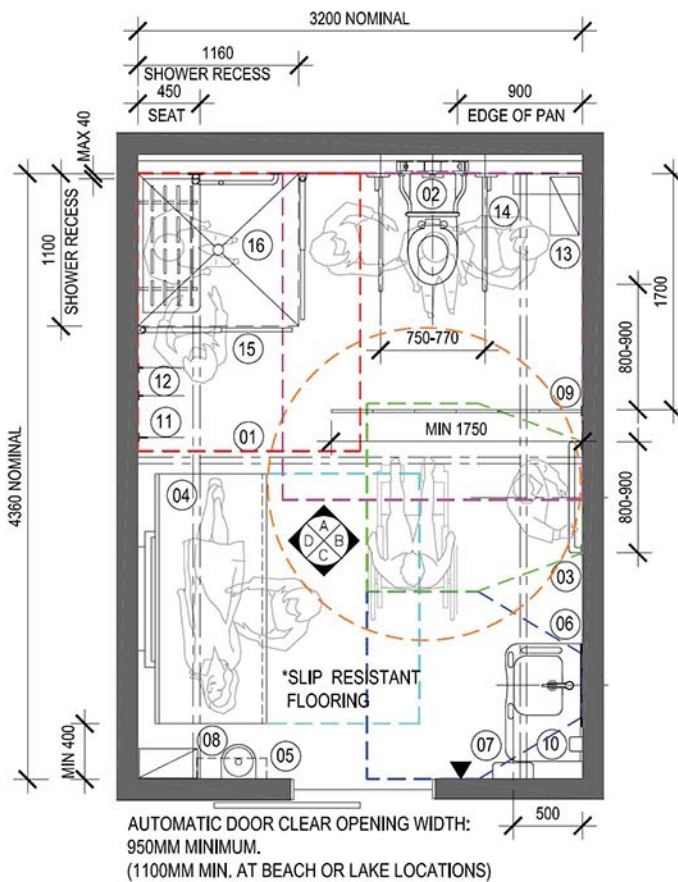
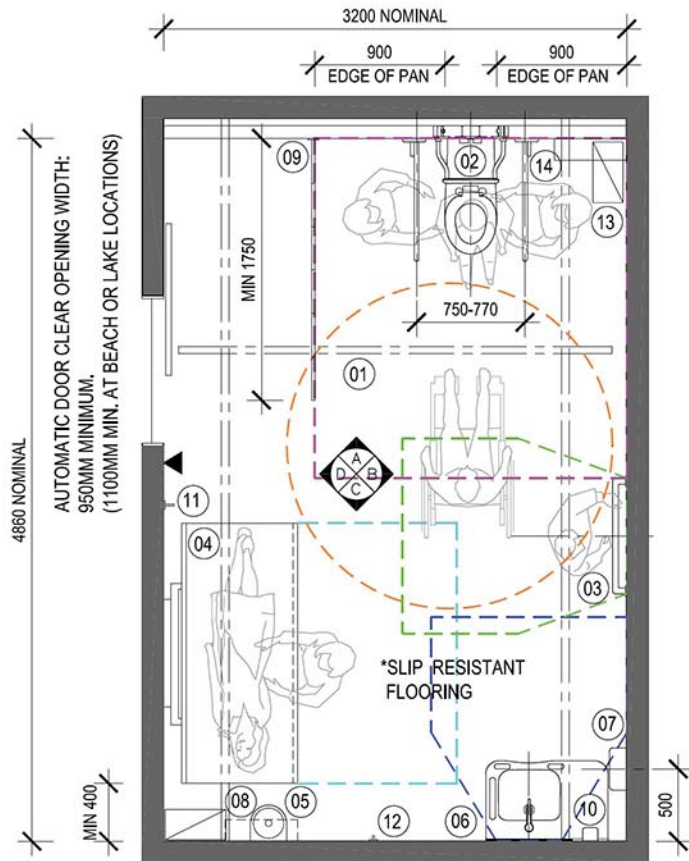
Without Shower
Square

Designs displayed with permission of DHHS and Changing Places



- 01 Constant-charge room coverage hoist
- 02 Accessible peninsula-style toilet including backrest and two drop-down grabrails
- 03 Wall-mounted changing rails
- 04 Wall-mounted, motorised height adjustable change table with side safety rail
- 05 Shelf and sanitising wipe dispenser
- 06 Washbasin with integrated shelf
- 07 Hand dryer or paper towel dispenser
- 08 Incontinence pad disposal bin
- 09 Wall-mounted retractable privacy screen
- 10 Soap dispenser
- 11 Large sling hook
- 12 Clothes hook
- 13 Sanitary product disposal bin
- 14 Shelf beside the toilet pan
- 15 Telescopic shower curtains
- 16 Accessible shower with shower seat
- ▶ Automatic door control

Designs displayed with permission of DHHS and Changing Places




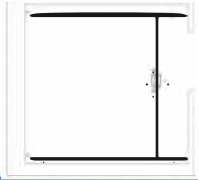

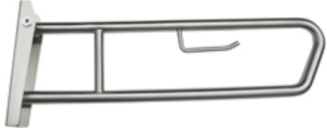




DESIGN 1C

Without Shower Alternative Door Location

DESIGN 2













With Shower Rectangular

Changing Places Specification List

ITEM	CODE	DESCRIPTION	QTY	
Ceiling Hoist	552099-1	GULDMANN GH3 Ceiling Hoist rated to 250kg. Fixed hoist featuring constant in-line charging. Note: To be installed compliant with AS1428.1 & 2009, AS/ISO 10535:2011 and Changing Places specification requirements.	1	
HLS Room Covering H-Track System (or XY System)	B SYSTEM: Recommended: Wall Mounted Surface-Mounted or Concealed/Flush Mount (E System) also available	HLS Room Coverage Track System rated to 205kg. Standard anodized rail with white side covers - can be powder coated white concealed or surface mounted. Wall or ceiling mounted. Installed to comply to AS/ISO 10535:2011 and Changing Places specification requirements.	1	
Change Table + Side Guard	40-25026 + 40-25036	ROPOX - Adult Change Table. Height-Adjustable Wall mounted Table. Rated to 220kg. 180cm x 76cm Note: To be installed to comply to AS 1428.1-2009 and Changing Places specification requirements	1	
Toilet Support Grabrails + Toilet Roll Holders	MLR50TPH	Metlam Pulldown Grabrail with toilet roll holder Satin Stainless Steel User Weight capacity of 190kg Note: To be installed to comply to AS1428.1-2009 & Changing Places specification requirements	2	
Retractable Privacy Screen	ROPI-RFW634	Folding Privacy Screen 1800mm x 1450mm (WxH). Wall-mounted & installed minimum 800mm-900mm from toilet pan. Note: To be installed to comply to AS1428.1-2009 and Changing Places specification requirements	1	
Swing Out Telescopic Shower Curtain	ROPI-RTS1.2 + WH95 ROPI-TCS123	Telescopic Shower Rail 1200mm and Trevira Shower Curtain White (Standard) 140cm x 175cm and Wall Holder. To be installed to comply to AS1428.1-2009 and Changing Places specification requirements	2	
Support Wash Basin	WBM-802	Solid Surface Resin Basin 802 wall mounted with inbuilt hand rails and shelf. Note: To be installed to comply to AS1428.1 - 2009 Changing Places specification requirements	1	
Toilet Backrest	4H18	Stainless steel frame 600mm x 379mm. Backrest is 300mm x 200mm. Stainless steel fixings supplied. Note: To be installed to comply to AS1428.1-2009 and Changing Places specification requirements	1	

Read more helpful information at www.hlshealthcare.com.au/changing-places



Changing Rails	ML333_1SS	Stainless Steel 900mm 32mm diameter grabrail. Stainless steel fixings supplied. Note: To be installed to comply to AS1428.1-2009 & Changing Places specification requirements	2	
Showerhead Support Grabrail	Left: MLR107_MKII Right: MLR108_MKII	Stainless steel 700mm x 1100 mm. Fabricated from 32mm 304 stainless steel. Stainless steel fixings supplied Note: Installed to AS1428.1-2009 and Changing Places specification requirements	1	
Soap Dispenser	ML605BS	Vertical Soap Dispenser c/w Black Valve. Stainless Steel.	1	
Hand Dryer	ML_ECOSLEN DER05_SS	Eco Slender Auto Hand Dryer Stainless Steel	1	
Sling Hook	ML216S	Heavy Duty Sling Hook Stainless Steel	1	
Clothes Hook	ML_2309PSS	Hat or Clothes Hook with Pin PSS (4161MKii)	1	
Soap Dish	ML230S	Soap Dish with drain Stainless Steel	1	
HLS Folding Shower Seat	RBA4157 -777-005	Changing Places compliant Folding Shower Seat SWL180KG	1	
Stainless Steel Shelf	B296X18	Changing Places 2020 compliant Stainless Steel shelf. 150mm x 455mm	2	
Vertical Mirror	B1658 2448	Changing Places 2020 compliant mirror with reflective design 610mm x 1219mm	1	
Free Standing Waste Bin	B2250	Sanitary disposal unit - Free standing waste bin. Satin finish Stainless Steel. Vinyl Wall bumper, rubber feet & hooks for liners.	1	
Wipes Dispenser + 1no Wipes	SWD-W + MPR	WowWipes White wall wipes dispenser. Includes 1No sanitary wipes pack	1	



HLS makes it easy

1. Visit our website
2. Download the spec
3. Ready for Tender



Guldmann GH3 Ceiling Hoist



SWL
250kg

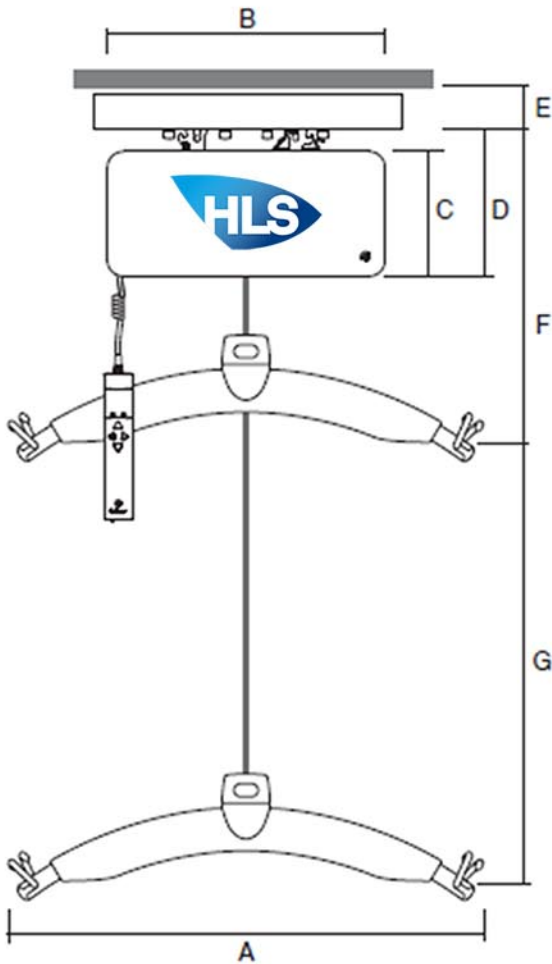
Architect Design Specifications Ceiling Hoist System

Changing Places

Ceiling Hoist and Room Coverage H-Frame Rail System



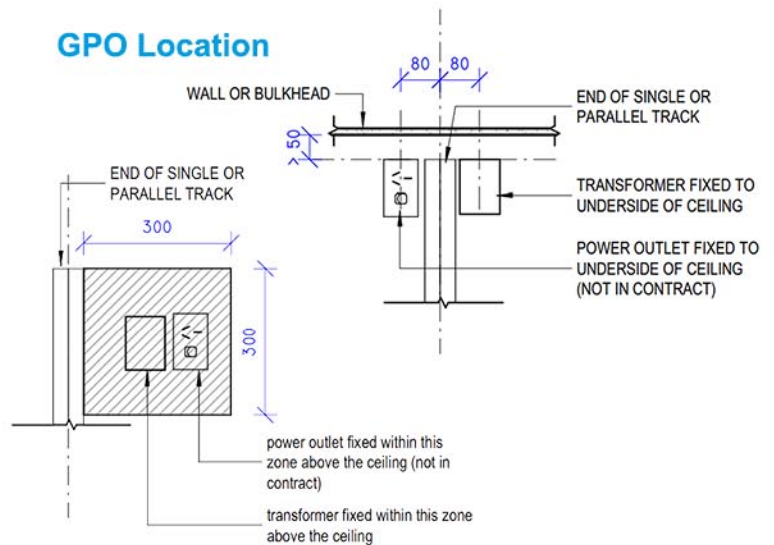
View more
Changing
Places
Information



Ceiling Hoist Dimensions

A	580mm
B	345mm
C	156mm
D	184mm
E (min)	82mm
F (min)	452mm
G	2.5m
Depth of hoist	205mm

GPO Location



Standard: Constant In-Line Charge

Features

Operation	Hand Control
Sound Level:	52db
On/Off	Automatic (Overload Protection)
Battery	1x24 V NiMH 2.0Ah
Max Charge Time	2 Hours
Classification	Pursuant to ISO 9999



**Changing Places 200kg Specification
Room Coverage H-Frame System
Concealed or Surface Mount Designs
Constant Charge In-Line
Designed for Compliance
15 Year Design Life**

Changing Places

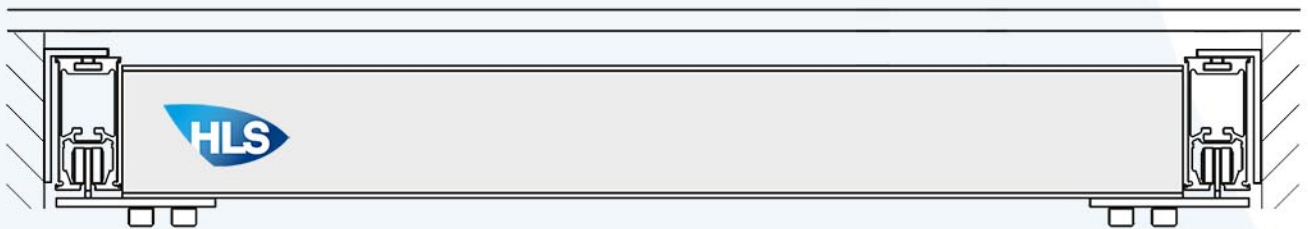
Ceiling Hoist and Room Coverage H-Frame Rail System

Design samples are general in nature - please consult with an HLS Healthcare specialist.

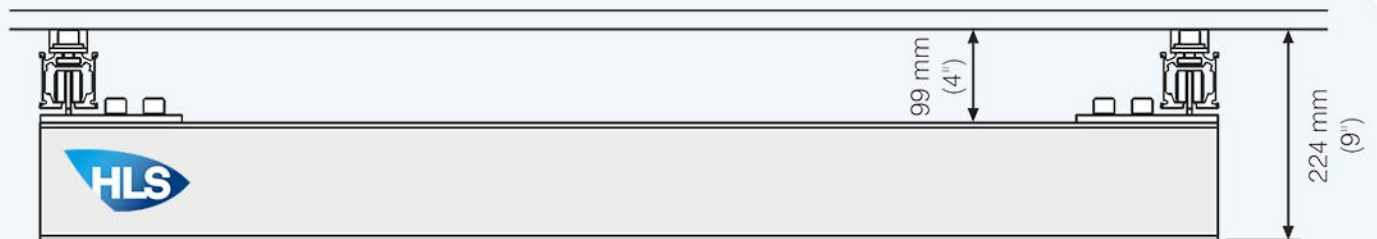
Design Considerations - Room Coverage Rail Systems

H-Frame Systems can be rectangular or square. Room coverage systems consist of two parallel rails and one traverse rail. H-Frame systems are usually either a wall mounted **B System** (installed direct to the wall structure with wall brackets, traverse rail mounted inbetween the parallel rails) or an **E System** (usually ceiling mounted, with traverse rail underhanging, or mounted between parallel rails for surface mounted systems). E System parallel rails can also be installed flush with the ceiling level. Wall posts are optional where necessary.

B System: H-Frame (wall mount) - traverse rail inbetween parallel rails



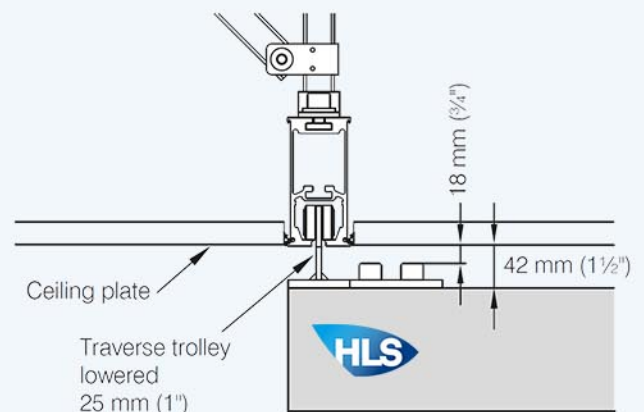
E System: H-Frame (surface mount) - traverse rail beneath parallel rails



E System: H-Frame (concealed) - traverse rail beneath parallel rails

Room Coverage Rail Systems

In a room-covering system it is possible to build in the parallel rails flush with the ceiling, so only the bottom edge of the rails is visible.



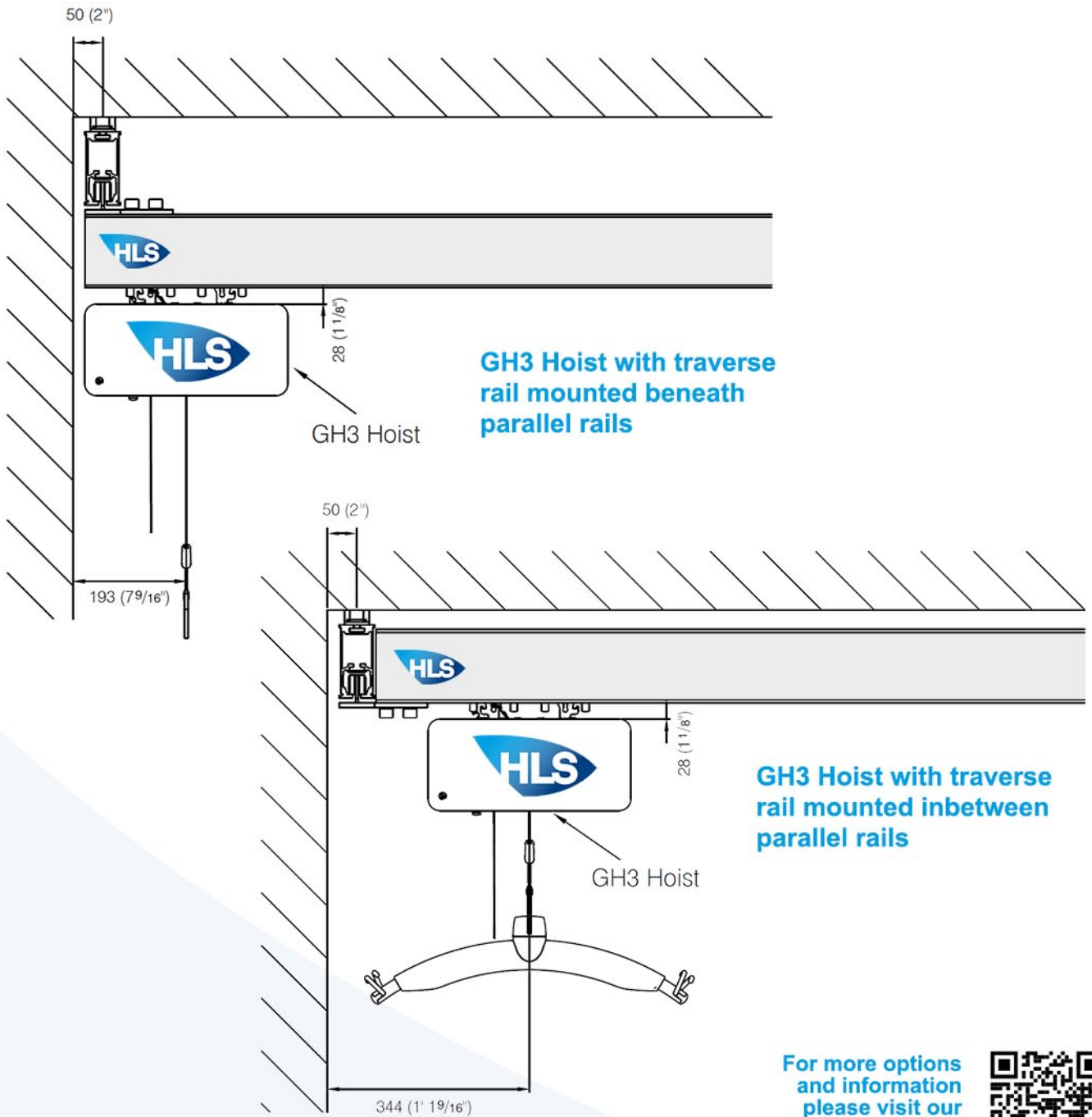
For more options and information please visit our [Changing Places website page](#)



Changing Places Ceiling Hoist and Room Coverage H-Frame Rail System

Design Considerations - Off-set Dimensions

Outer lifting point for GH3 hoist in systems with traverse mounted in between the parallel rails.



For more options and information please visit our Changing Places website page



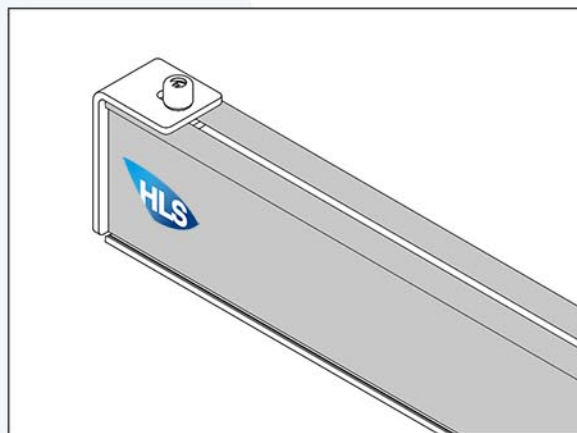
Changing Places Ceiling Hoist and Room Coverage H-Frame Rail System

Design samples are general in nature - please consult with an HLS Healthcare specialist.

End Wall Brackets - Mounting Option

The end wall bracket is used to install all types of rail between vertical surfaces. The bracket can be used for installing room covering rail systems where the ceiling is inaccessible or sloping. The end wall bracket can be installed on all types of wall. Eg. brick, concrete, lightweight concrete, wood and plasterboard.

Please speak to an HLS Product Specialist about methods, conditions and options for Changing Places.



Design Considerations - Wall Post Supports

Wall posts can be used in rooms where it is preferable to fixing brackets to the ceiling or the wall. Wall posts offer various types of adapters that make it possible to install around obstacles such as cable, installation panels or skirting boards. Brackets and adapters are also used in areas where ceiling obstructions such as pipe systems prevent overhead mounting. Wall posts are installed on the floor, and brackets are fastened to the wall.

Can be mounted on single plasterboard.



For more options
and information
please visit our
Changing Places
website page





MCG

Changing Places facility
installed by HLS Healthcare



For more options
and information
please visit our
Changing Places
website page

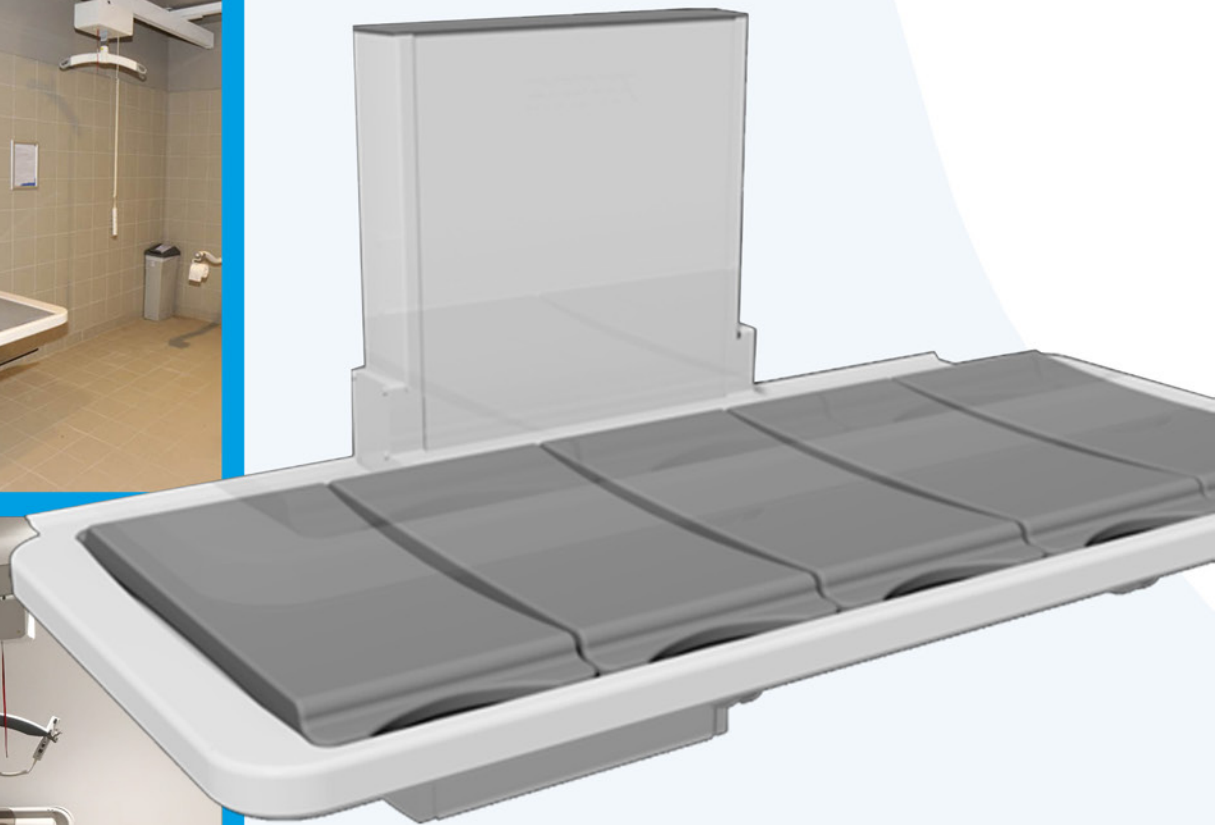




Ropox Adult Change Table

Height Adjustable
Wall Mounted

SWL
220kg



Ropox by HLS Healthcare
Adult Change Table
Height Adjustable
Wall Mounted Table.
1780mm X 760mm*

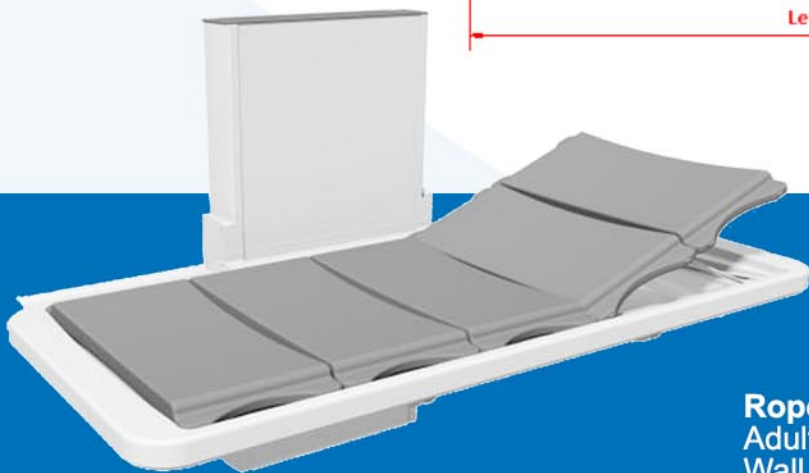
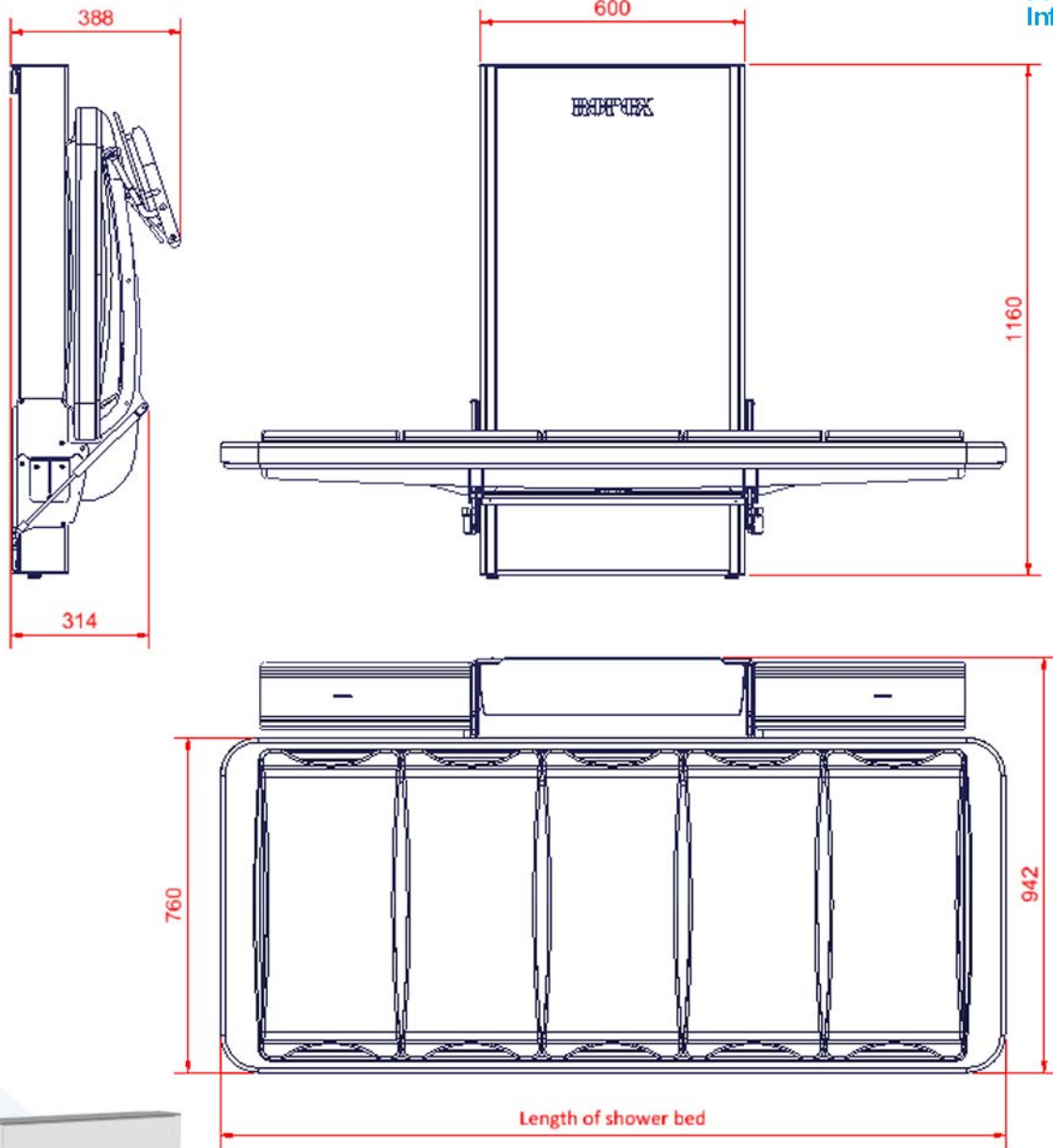
Welcome to
**Healesville
Sanctuary**

Architect Design Specification Change Table

Changing Places Wall Mounted Change Table



View more
Changing
Places
Information



Ropox by HLS Healthcare
Adult Change Table. Height Adjustable
Wall Mounted Table. 1780mm X 760mm*

*Dimensions approved by DHHS for compliance.





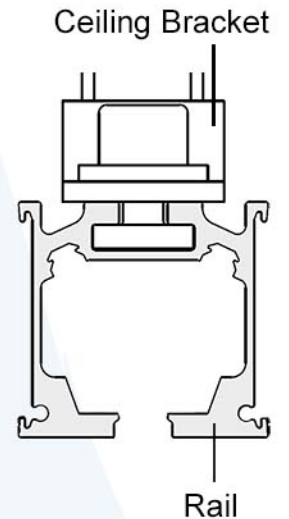
Changing Places Ceiling Hoist and Room Coverage H-Frame Rail System

Rail, Brackets and Bracing

Typical Dimensions

The clearance from the top surface of the rail to the underside of the structure (into which the rail is to be secured) is 40mm. This allows space for the ceiling bracket.

Distance to underside of rail - minimum 90mm



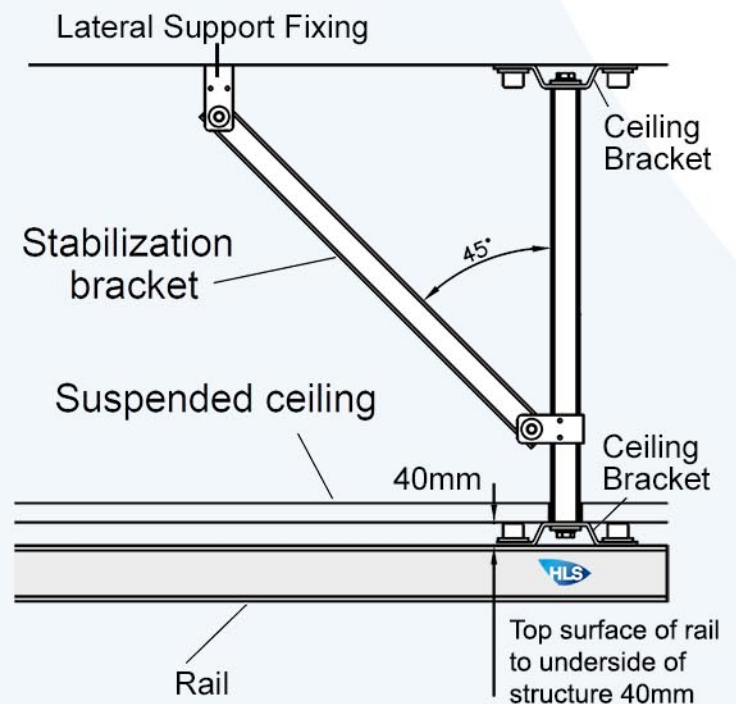
Stabilised Rail System

Where the distance between the rail and the in-ceiling structure is greater than 300mm, stabilising bracing will be installed to resist lateral forces in the rail structure.

AS/NZS OSO 10535:2011

Hoist for the Transfer of Disabled Persons

HLS Healthcare install in accordance to all applicable industry requirements and test methods.



Builder Installation Methods Ceiling Hoist System



Builder Installation Methods and Information

Rail System Support Structure

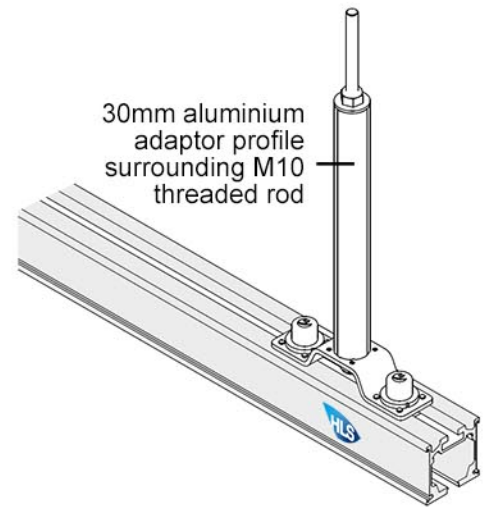
Overview

A Changing Places rail system features rail ceiling brackets fixed to an in-ceiling structure such as timber or steel roof trusses, concrete soffit or in-ceiling steelwork.

Support Structure

The structure to which the rail system will be attached is the responsibility of others. The structure shall support a dynamic load of 1.5x the rated capacity of the lifting system.

HLS Healthcare will supply the fixings to connect the rails to the in-ceiling structure.



Fixing Methods

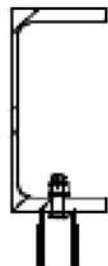
Fixing into concrete

M10 Hilti HKD Fixings
Embedded 40mm
into slab

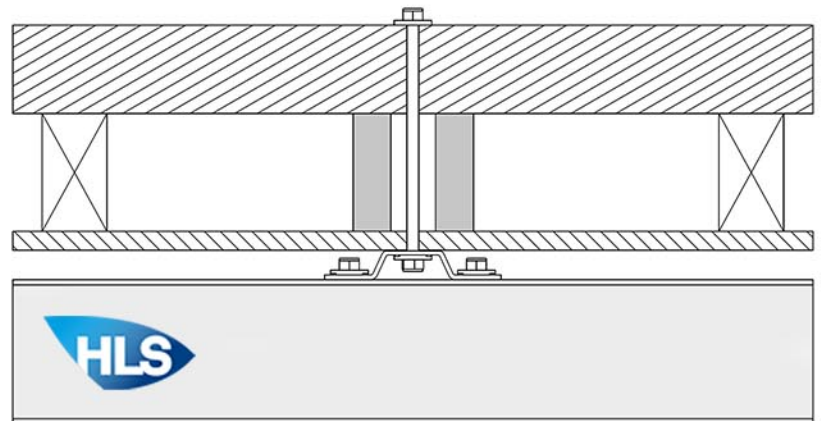


Fixing into steelwork

Installers to drill 12mm
hole through steel to
install threaded rod



Fixing into timber



Remember - The structure shall support a dynamic SWL (Safe Working Load) of 1.5x the rated capacity of the lifting system.

Independent engineering certification of the rail system is not included as part of a project unless specified in a contract. Independent certification will be subject to project cost variation.

Changing Places

Ceiling Hoist and Room Coverage H-Frame Rail System

Design samples are general in nature - please consult with an HLS Healthcare specialist.

Wall Brackets and Wall Posts

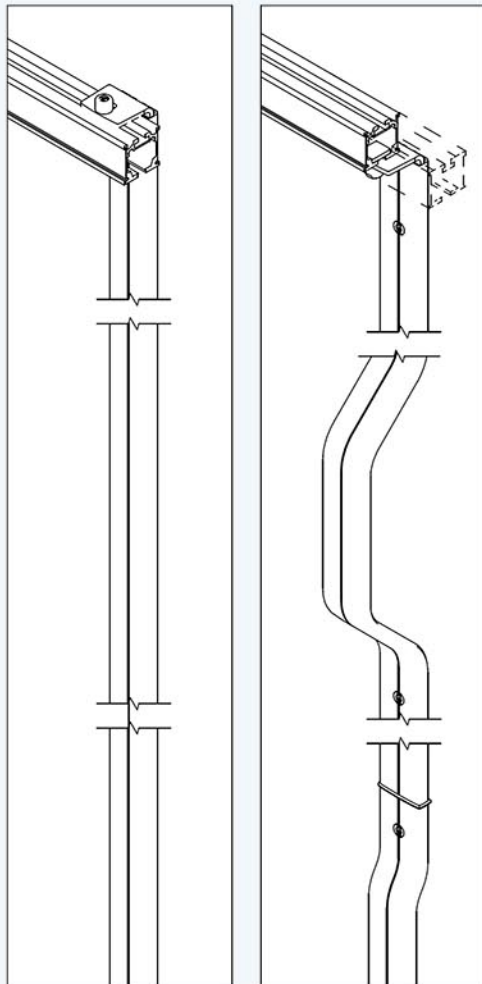
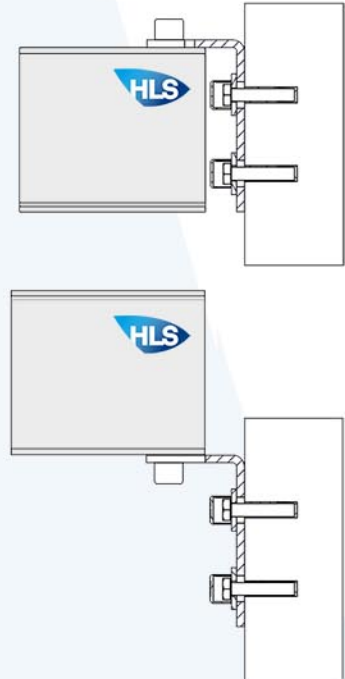
Brickwork, Concrete, Light Concrete and Timber Stud Plaster Walls

Wall Brackets - Used to install fixing points of the parallel rails of a room covering H-Frame system. All Wall brackets will be secured to the wall with two fixings.

Wall Posts Configurations

Wall Posts are installed on the floor, and brackets are also be fastened to the wall in order to guide them.

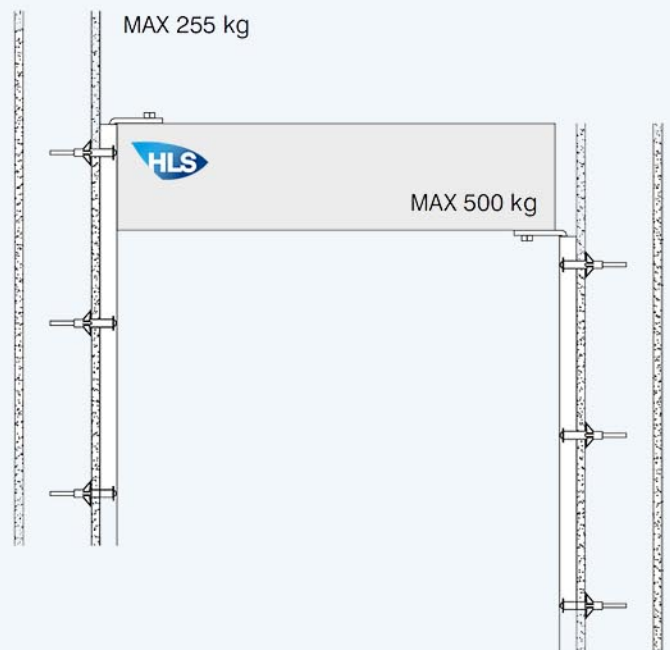
End Brackets



Max. SWL 500 kg

Max. SWL 255 kg

Wall Post Fixing



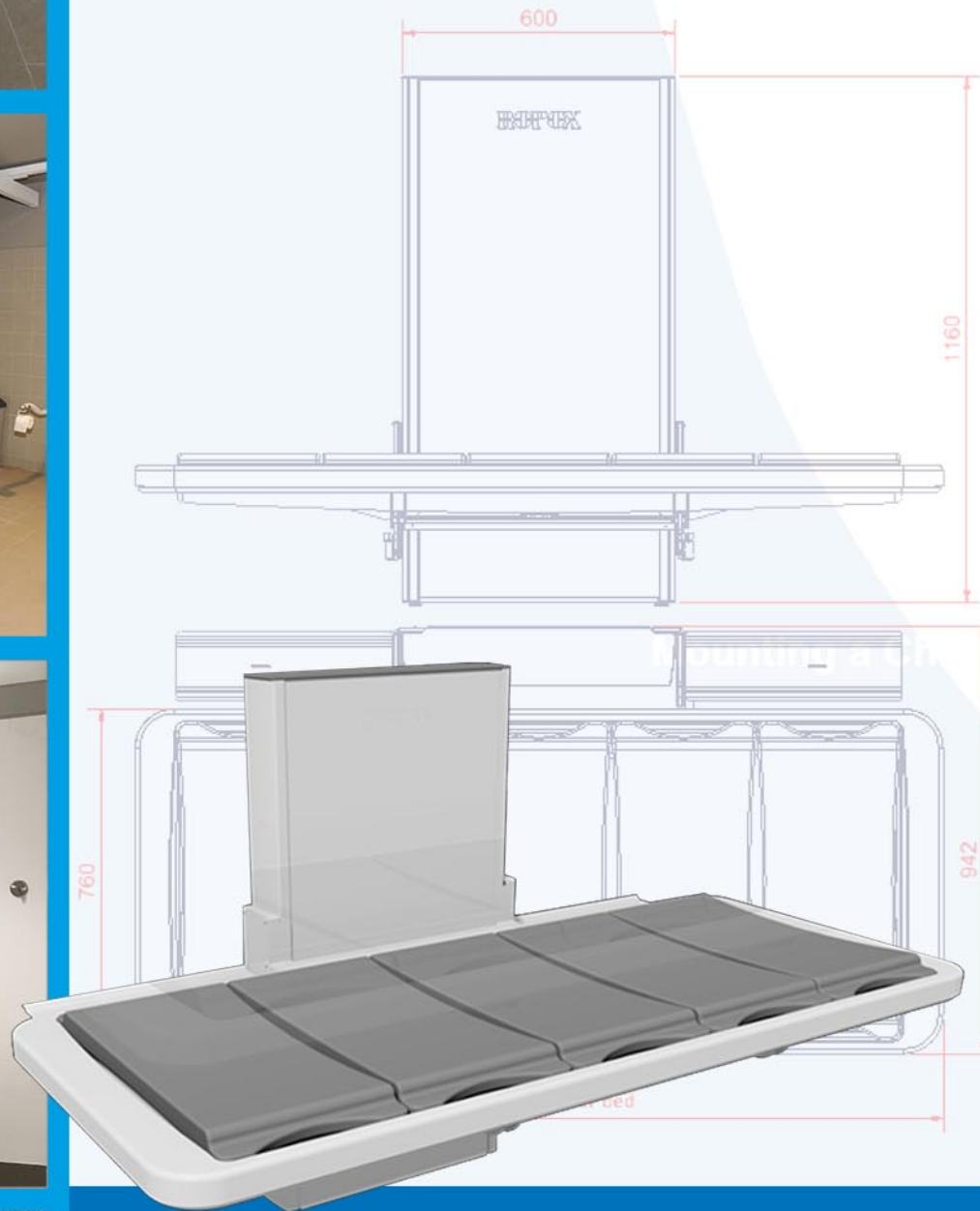
Melbourne
ZOO
Changing Places
facility installed by
HLS Healthcare





Ropox Adult Change Table

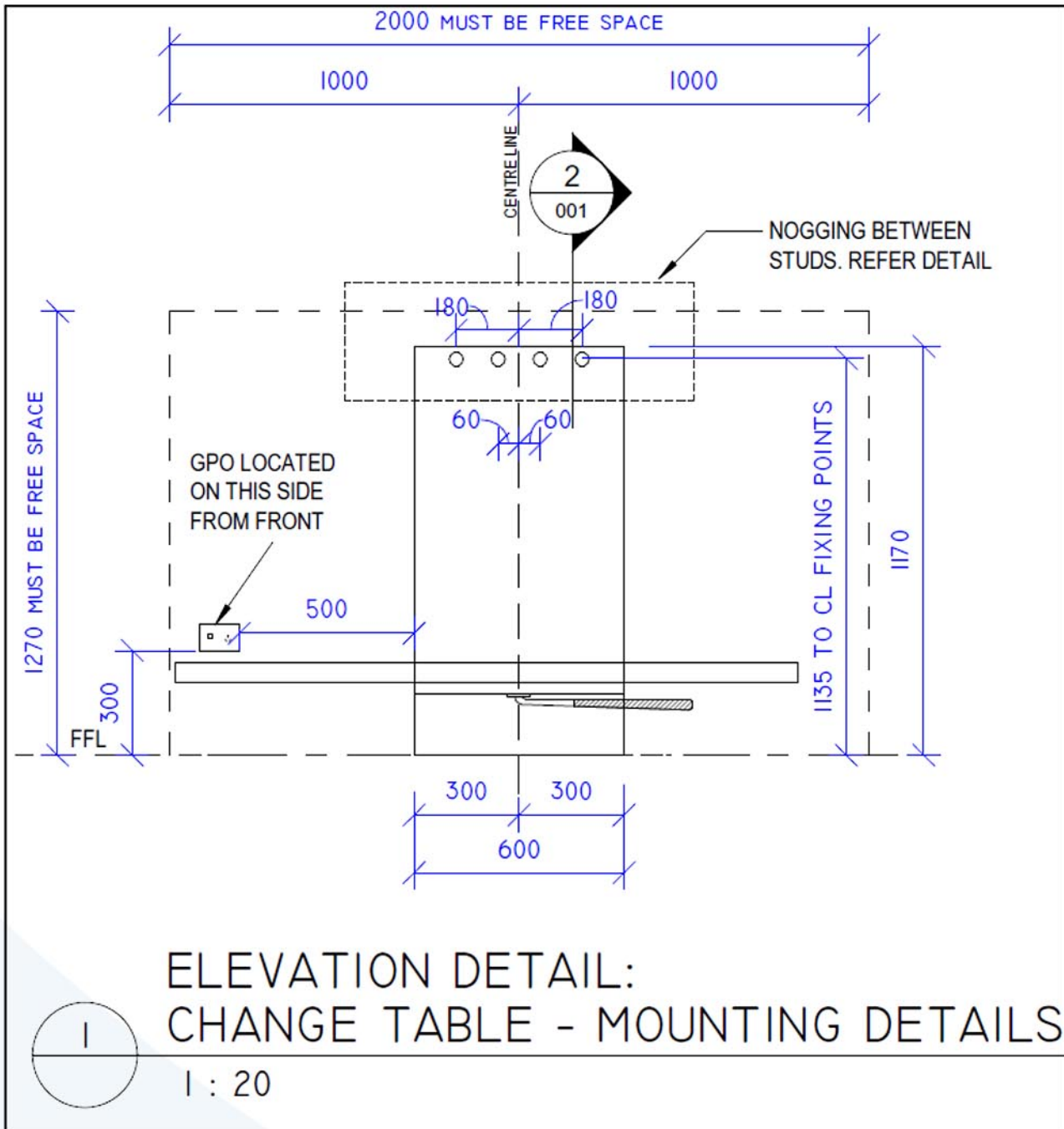
Height Adjustable
Wall mounted



Welcome to
**Healesville
Sanctuary**

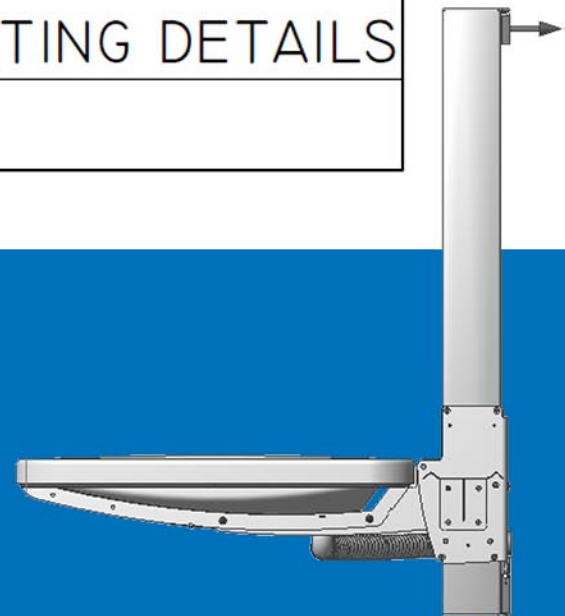
Builders Installation Details Change Table

Changing Places Wall Mounted Change Table



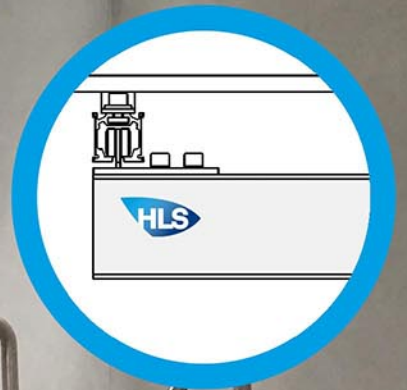
Mounting a Change Table to the wall

GPO to be installed by others to the specifications and located as advised by HLS Healthcare. Wall fixing points engineered by others to HLS Healthcare requirements. Load bearing SWL as specified in Changing Places documentation.



Melbourne's
HAMER HALL

Changing Places facility installed by
HLS Healthcare



**One Supplier.
Smarter Solutions.
HLS Healthcare**



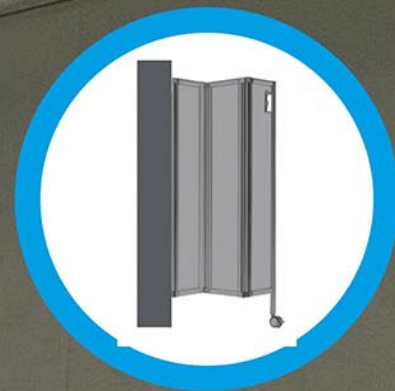
HLS Healthcare has been advising and supplying smart equipment solutions for Changing Places projects across Australia since 2013.

As a specialist supplier, our team has the most extensive Changing Places knowledge and experience available. From tender specifications to training support.

We've got it covered.

We also provide the highest quality product and support.

Together with our partners, HLS Healthcare have sales and installation teams to support your project in all major Australian states and territories.



Operating Instruction Guidelines

HLS Healthcare provide operating instructions upon request for all Changing Places projects.



Changing Places Transforming Lives

Ceiling Hoist User Guide



1 Press any button on hand control to start. Green light on hoist indicates it is ready to use



2 Safely apply sling to hanger bar. Ensure loops are securely fitted



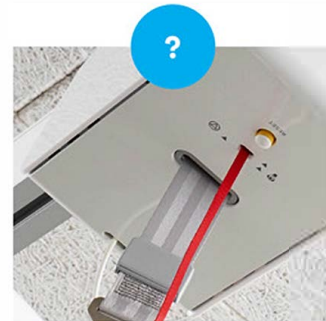
3 Use the 'Up' and 'Down' arrows to perform the lift when ready



4 Move the hoist around the room by holding hanger bar. Pulling on hand control will cause breakage

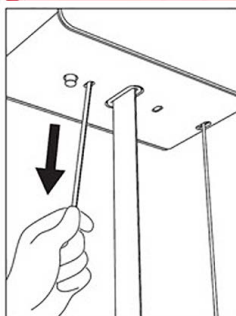


5 The Guldmann hoist will charge from anywhere in the room



? If indicator LED is yellow and hoist is beeping, there may be a fault. Please notify Reception

EMERGENCY STOP



One pull on the red strap. Use only in emergencies. When emergency stop is activated, only hoist's emergency lowering device will function. Deactivate the emergency stop by pressing yellow "stop" button, then press any hand control button twice. Emergency Lowering is activated by prolonged pull on the red strap. Use only in an emergency. This function allows the patient to be lowered if hoist has failed to work.

PLEASE NOTE

Ceiling hoist should only be used by carers who are accustomed to using a hoist.

Users must use own slings.

Prior to use, inspect hoist for any signs of damage or wear. Check hoist is operable before using with a person. If unsure DO NOT use, notify Reception or call HLS.



Safe Working Load
250kg

Contact Us
www.hlshealthcare.com.au
1300 931 893

HLS-TRN-022-01 v1

Soft copy only. Specific to location when requested.



Operating Instruction Guidelines

HLS Healthcare provide operating instructions upon request for all Changing Places projects.



Changing Places Transforming Lives

Change Table User Guide

Change table is to be used for showering and changing children and adults only, and must not be used for any other purpose.



1
Pull the table down from the rail on the guard until it clicks into place



2
To engage the side rail grab the white rail and it pull up towards you until it clicks



3
Use the 'Up' and 'Down' arrows on the control to adjust the height of the change table



4
To disengage, pull the two levers upwards to unlock the side guard rail



5
Disengaging the side rail allows the side rail to drop down under the change table



6
To stow the table, disengage side rail and pull table up until it clicks into a vertical position

PLEASE NOTE

Never leave a person unattended on the change table.

Prior to use, please conduct safety checks by inspecting the Change Table for any signs of wear or damage. Check power cord and hand controller are intact and undamaged. Check power cord is fully plugged into the socket, ready for safe use.

Instructions for cleaning: HLS Healthcare suggests pH Neutral Hospital Grade Cleaner or similar. If unsure DO NOT use and notify Reception or call HLS.



Safe Working Load
220kg

Contact Us
www.hlshealthcare.com.au
1300 931 893

HLS-TRN-022-02v1

Soft copy only. Specific to location when requested.



Q&A

Common questions from Builders

What are your lead times?

HLS Healthcare maintain a stocked Melbourne warehouse, so we are able to commit to projects with optimal turnaround times. We encourage you to discuss your requirements with our team and place your orders as early as possible so our project coordinators can support you.

How many visits do your installers require?

This depends on the support structure our ceiling tracks are to be secured to. Usually 2 visits are required - the first visit to install the supporting droppers and the second visit towards the end of the project for equipment fit-off.

What power is required for the equipment?

The Hoist requires a standard 10amp GPO on the ceiling, and the Change Table requires a standard 10amp GPO on the wall. The exact location will be determined on a project-by-project basis. We have standard details on hand to assist in advising you during the project.

Power points - where to put it & what type of power

Please refer to the Builders specifications details in this booklet, download them from our website, or ask one of our Changing Places specialists.

Supports for system – is concrete enough? What type of other supports?

Rail systems can be installed into concrete, rigid steel structures, timber truss ceilings and even directly to walls - conditions apply. Please refer to the Builders specifications details in this booklet, download them from our website, or ask one of our Changing Places specialists.

Does the Ropox change table require power? Where?

Yes. Please refer to the Builders specifications details in this booklet, download them from our website, or ask one of our Changing Places specialists.

Ropox Change Table - Are supports behind wall or concrete wall sufficient?

SWLs and engineering compliance apply. Please refer to the Builders specifications details in this booklet, download them from our website, or ask one of our Changing Places specialists.



Q&A

Common questions from Architects

What type of ceiling track system must be designed and installed?

The Changing Places guidelines specify a ceiling track system that provides access around the entire room; known as a 'room covering system' or 'H-track'. There are several ways this can be achieved, secured to the in-ceiling structure or to the walls. The correct type will need to be determined on a project-by-project basis. We recommend consultation at this stage to ensure any design issues or clashes with in-ceiling services are avoided.

What is Inline Charge?

This means the Guldmann fixed hoist motor is automatically charged through charging liners in the rails. Charging is achieved regardless of the location of the hoist in the track, removing any reliance on the users to return the hoist to a specific location after use. The Guldman inline charge system ensures there is no risk of flat batteries for the next user. It also guarantees hoist functionality and maintains the batteries to ensure a long lifetime. Be careful - not all 'continuous charge' hoists may comply.



Changing Places **Transforming Lives**

Are there any requirements of the hoist motor? What about SWL?

Yes, the Changing Places guidelines specify a constantly charged hoist. Guldmann fixed hoist motors are permanently charged through the track system. SWL is minimum 180kg.

Can the hoist equipment be installed in a humid leisure centre environment?

Yes. However, it is important to help protect the track system and the hoist motor with anti-corrosion treatments. We recommend specifying the track system to be powdercoated white to help protect the rail, and the hoist motor to also have a protective silicon spray applied. Not all hoists are able to comply with this recommendation.

What are the ceiling hoist support options?

Compliant ceiling hoist system can be installed to ceilings, walls (brackets) and on wall posts.



Guldmann™



ProfiloSmart





Changing Places Transforming Lives

As an Official Australian Changing Places supplier and installer, HLS Healthcare recommends the official 2020 Changing Places Specification Guide.



This guide is available at
www.disabilityaccessconsultants.com.au



Changing Places

HLS Healthcare

Smart Healthcare Technology Specialists
Official Changing Places Installer

1300 931 893

hlshealthcare.com.au

VIC | NSW | ACT | SA | QLD | WA

